



Environmental Services Department
P.O. Box 979
Rolla, Missouri 65402
573-364-6693 phone
573-364-3648 fax

Guidelines for Construction of Refuse/Recycling Enclosure areas and Parking Lots

During new construction or major renovations, please use the following details for design and location of enclosure areas for refuse and or recycling containers.

The City of Rolla offers various sizes of refuse containers ranging from 1 cubic-yard to 6 cubic-yards. The size requirement of the enclosure will be dependent upon the level of service (number of containers) desired. Please see detail 1, page two for **MINIMUM** space requirements and detail drawings. Include additional space for recycling containers, grease traps, etc.

In all instances, the truck operator must be able to walk completely around the dumpster(s). Provide 2' minimum clearance on all sides. Any doors or gates on the enclosure must open outwardly and be secured to prevent swinging or being wind-blown (detail 2, page 2). Holes may be drilled in the enclosure floor for locking pegs.

A separate entryway is recommended as a point of ingress/egress. See detail 3, page two, for examples of entryways.

Dumpster enclosure may be finished with any suitable screening material. Provided the material used is of durable quality, the finish is at the discretion of the developer/contractor. Finish types may include wooden fencing, chain-link with vinyl privacy slats, cinder block, etc. See detail 4, page two for examples of finish materials.

Refuse trucks are approximately 30 feet in length and require room to maneuver. Do NOT allow parking in the dumpster area to avoid interruption of sanitation services. Refuse trucks weigh approximately 30,000 pounds empty and as much as 44,000 when fully loaded. Driveway aprons and parking lots should be constructed accordingly by increasing concrete thickness or including reinforcement. Provide a level pad or approach at the entrance to the enclosure to provide adequate access by refuse trucks. See detail 5, page two for approach designs.

Cardboard and paper recycling services are offered by the Environmental Services Department as well. A separate heavy gauge wire-panel pen will be provided for cardboard storage that typically measures 4'x4' or 4'x8'. They may be placed inside or outside of the refuse enclosure. The recycling truck must be able to back up directly to the pen. Sixty-five gallon carts are also offered for storage of mixed paper and must be able to be rolled to the rear of the collection truck.

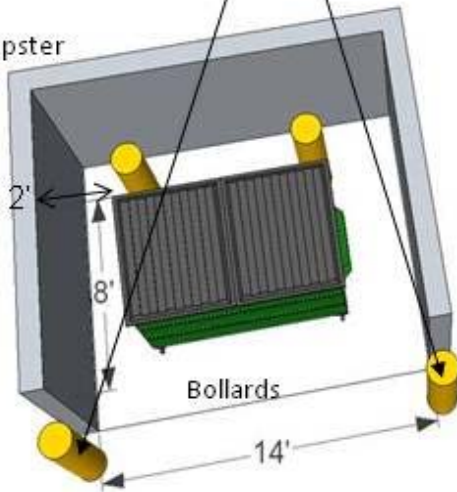
The following detail drawings are provided for reference only. The finished materials shall be at the discretion of the owner/developer/contractor.

For additional information or questions, please contact the Environmental Services Department @ 573-364-6693.

Detail 1

** Maintain 2' clearance on all sides of dumpster

1 CY or 2CY Dumpster



Bollards

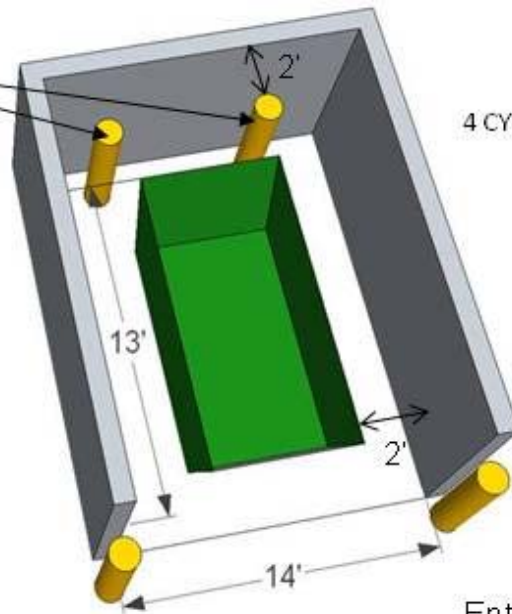
2'

8'

Bollards

14'

4 CY or 6 CY Dumpster



2'

13'

2'

14'

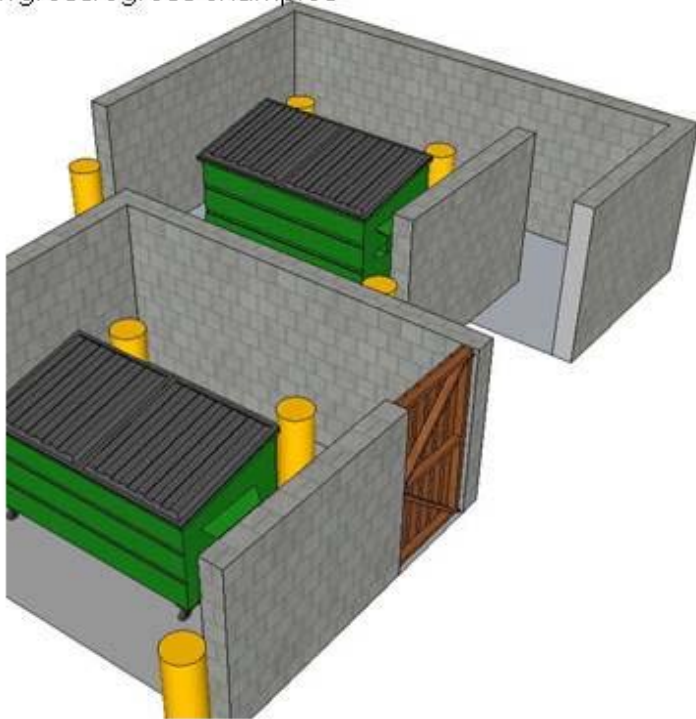
Detail 2

Entrance gate example



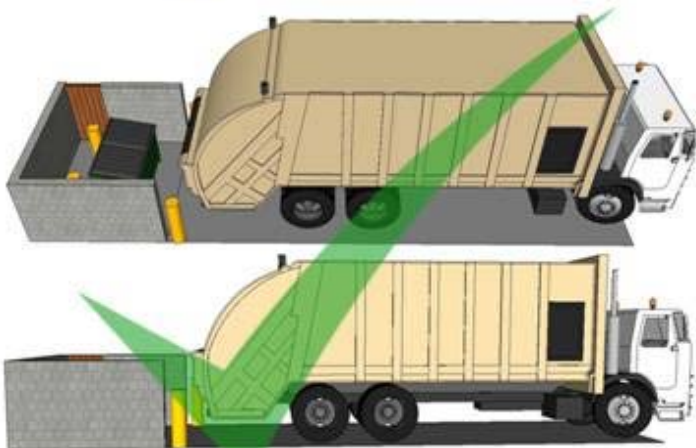
Detail 3

Ingress/egress examples



Detail 4

Possible finish examples



Detail 5 proper approach design